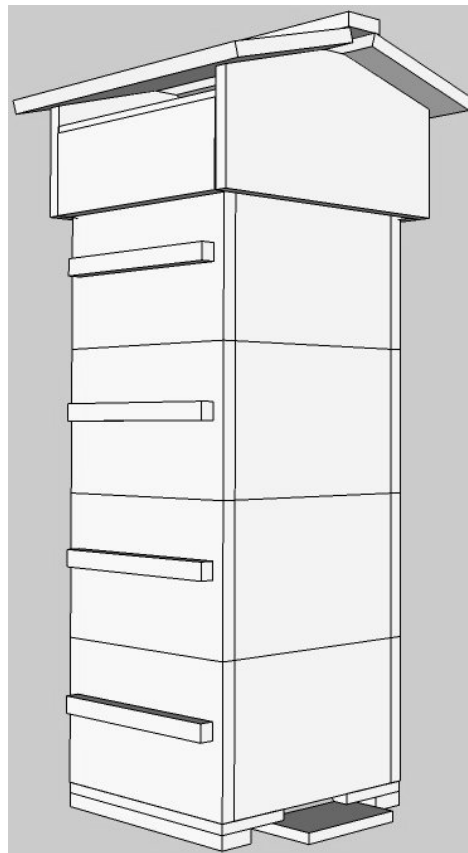


**Plans for the Construction of**  
**The People's Hive**  
**of Abbé Émile Warré**



Version 1.1, 16 March 2010

© David Heaf, Llanystumdwy, Wales, UK

The author licenses anyone to copy and share, but not modify, this document for non-commercial use. Anyone wishing to use the document for commercial purposes should contact the author to agree terms. Email address: david (at) dheaf.plus.com.

The drawings in this document were compiled with the help of Google SketchUp version 7.1.

The primary download URL of this document is:

[http://warre.biobees.com/warre\\_hive\\_plans\\_metric.pdf](http://warre.biobees.com/warre_hive_plans_metric.pdf).

If you have downloaded this document from elsewhere, it may not include corrections and updates.

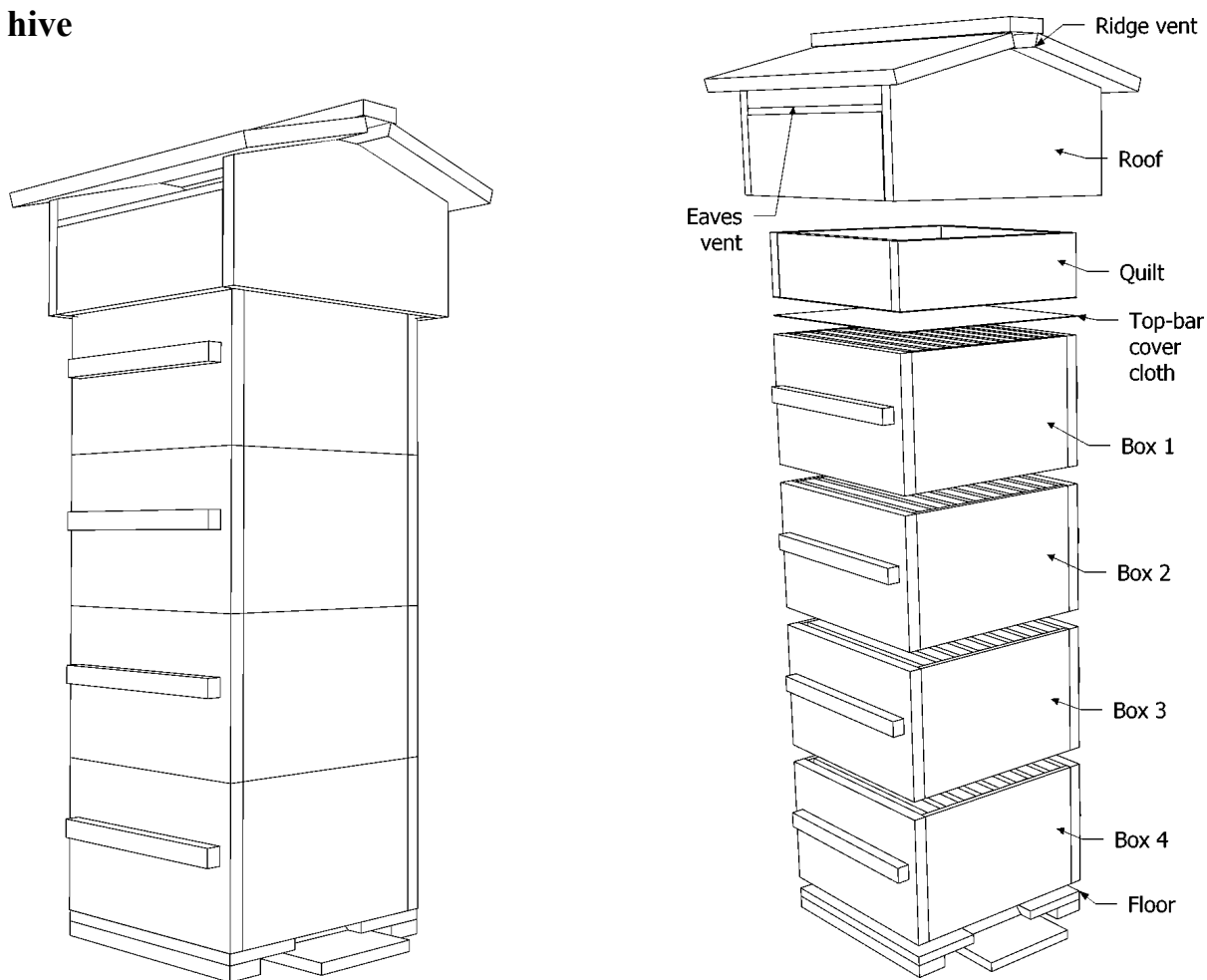
## Plans for constructing a Warré hive – The People's Hive

The plans shown below are based as closely as possible on those in the 12th edition of *Beekeeping for All* published in 1948.<sup>1</sup> If you think that they deviate in any way from those plans, please let us know via the email address shown on the copyright page. The page numbers in the text refer to the pages in the book.

At the end of this document are included plans for constructing a box with a window according to the modification of Warré's hive introduced by Frères & Guillaume.<sup>2</sup> We include this variant of the box because many beekeepers, especially beginners, find it helpful for monitoring the progress of colony development. However, we warn that adding windows increases the complexity and expense, not to mention the consumption of resources.

The plans shown here are based on boxes of 20 mm thick wood, the minimum that Warré regarded as sufficient (p. 52). However, he recommended 24 mm for improved rigidity. Thicknesses of 38 and 50 mm have also been used in colder climates. Any change to the box wall thickness should ideally retain the internal measurements of 300 x 300 x 210 mm and will thus require all other components of the hive apart from the legs to be re-sized.

### The hive



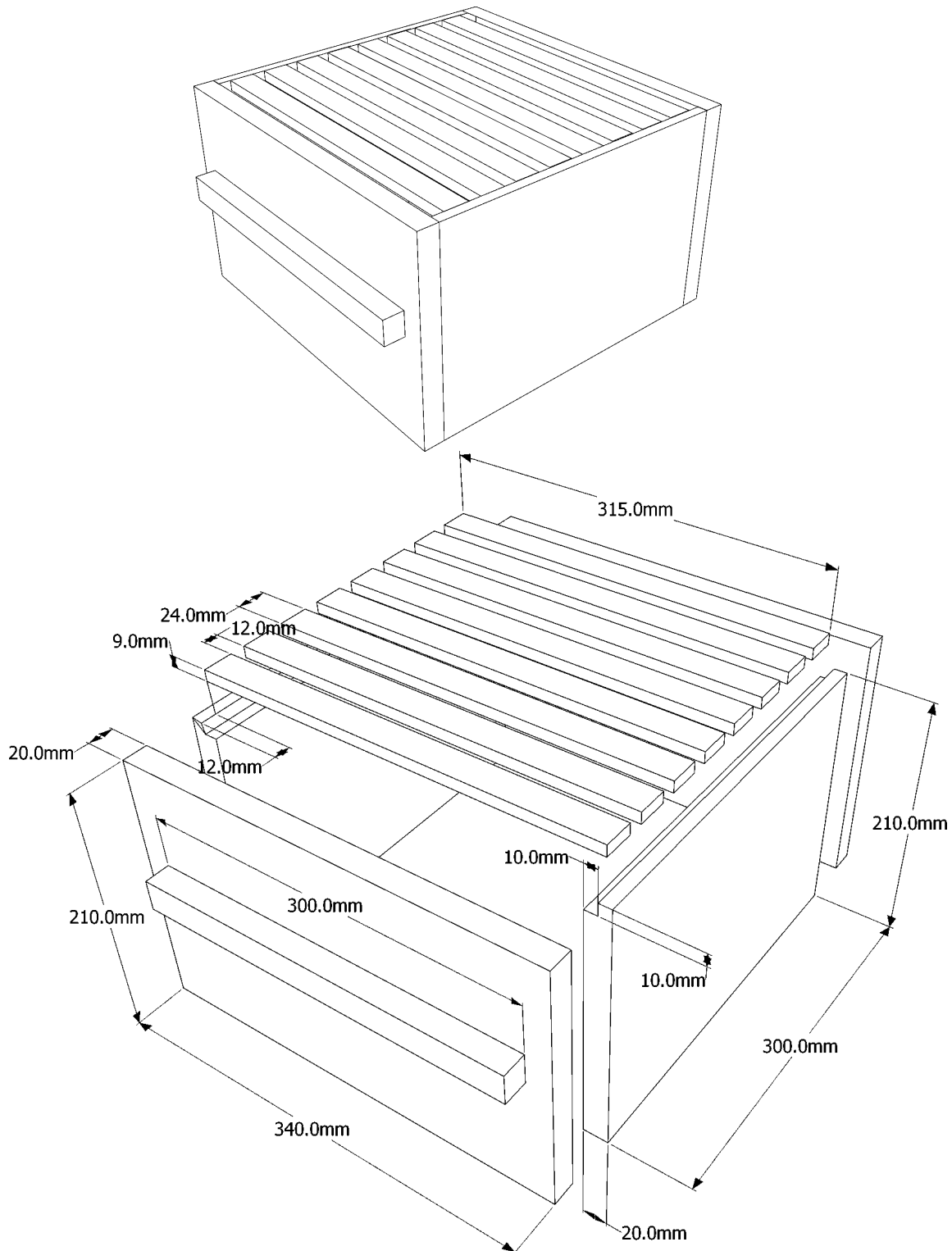
There is no direct passage of air from the top box to the vents under the roof. The quilt is filled with a suitable insulating material of plant origin such as chopped straw, wood shavings, dried leaves etc. As well as a top-bar cover cloth there is a cloth fixed to the bottom of the quilt to retain its contents. A suitable material for these cloths is hessian sacking (burlap).

<sup>1</sup> Warré, É. (2010) *Beekeeping for All*. Northern Bee Books. ISBN 978-1-904846-52-9. Transl. by Heaf, D. J. & Heaf, P. A. from *L' Apiculture pour Tous* 12<sup>th</sup> edition. (Saint-Symphorien, 1948). <http://warre.biobees.com/bfa.htm>.

<sup>2</sup> Frères, J-M. & Guillaume, J-C (1997) *L' Apiculture Écologique de A à Z*. Guillaume J-C (ed. & publ.) Villelongue-Dels-Monts.

## The boxes

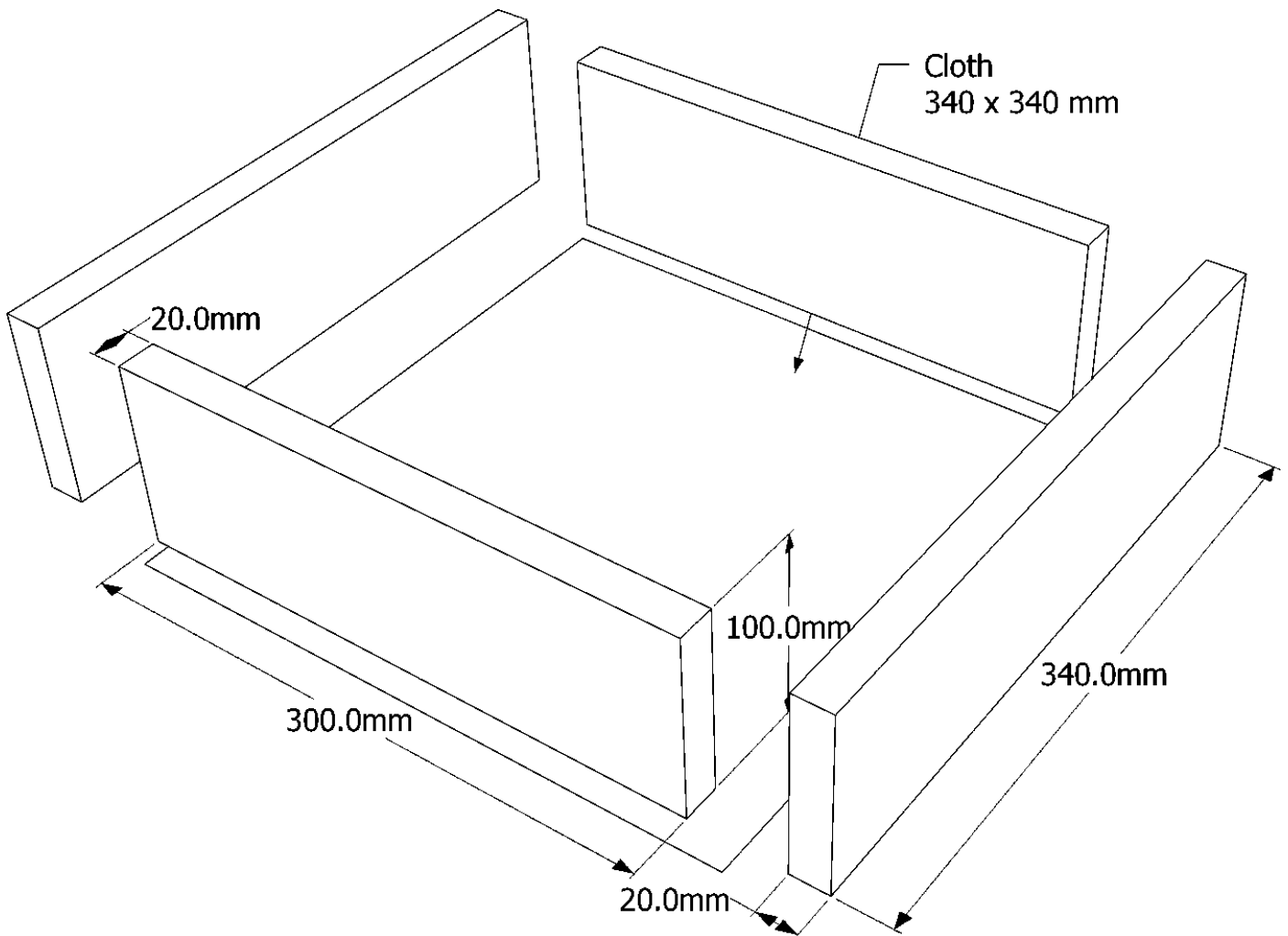
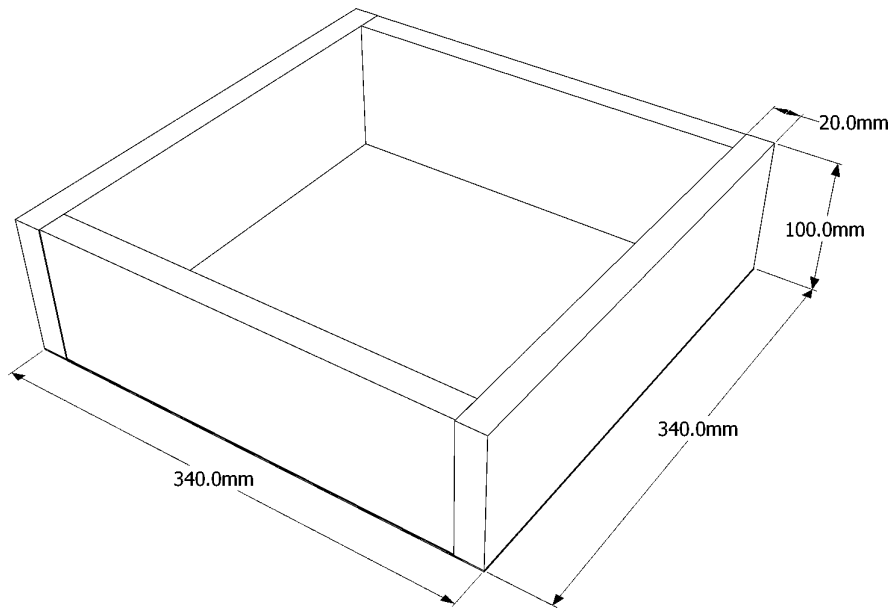
The basic box is butt-jointed at the corners. Nailing with seven galvanised nails 65 x 2.65 mm makes a strong joint. Glue is unnecessary. Obviously half-joints or finger joints make a stronger box, although this increases the complexity. Warré does not specify the size of the handles, but 300 x 20 x 20 mm bars, fixed with three nails and glued have been found to work well in practice, including when lifting the entire hive with the bottom box handles. The upper edge of the bars may be sloped to shed rainwater.



The spacing between all bars and between the end bars and the walls is 12 mm. The rebates can be cut with a table saw, a rebating plane or even with a hand saw provided that a guide is affixed to the wood first. Warré specifies a top-bar length of 315 mm. If it is extended close to 320 mm, then it better spans the rebate and leaves no cavity for pests to occupy.

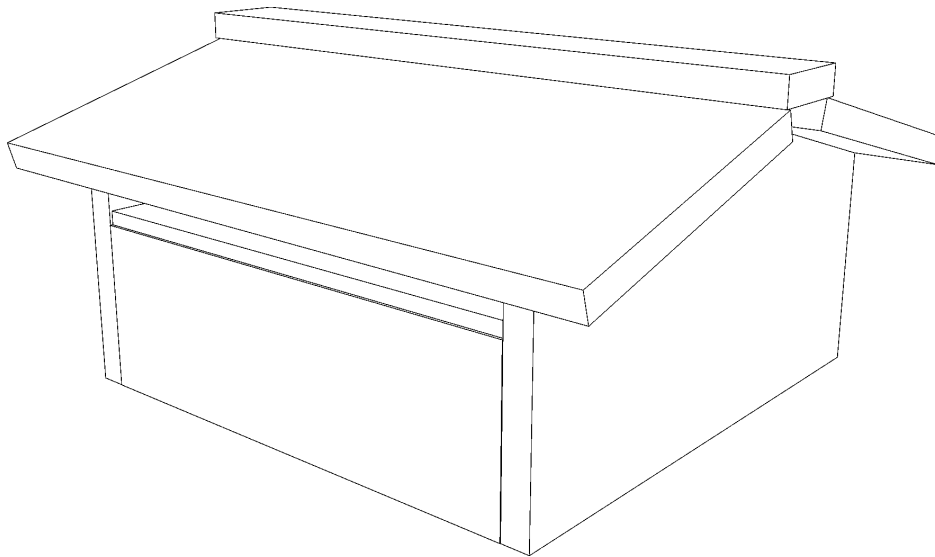
## The quilt

The thickness of the walls of the quilt could be as little as 10 mm as it supports only the roof.

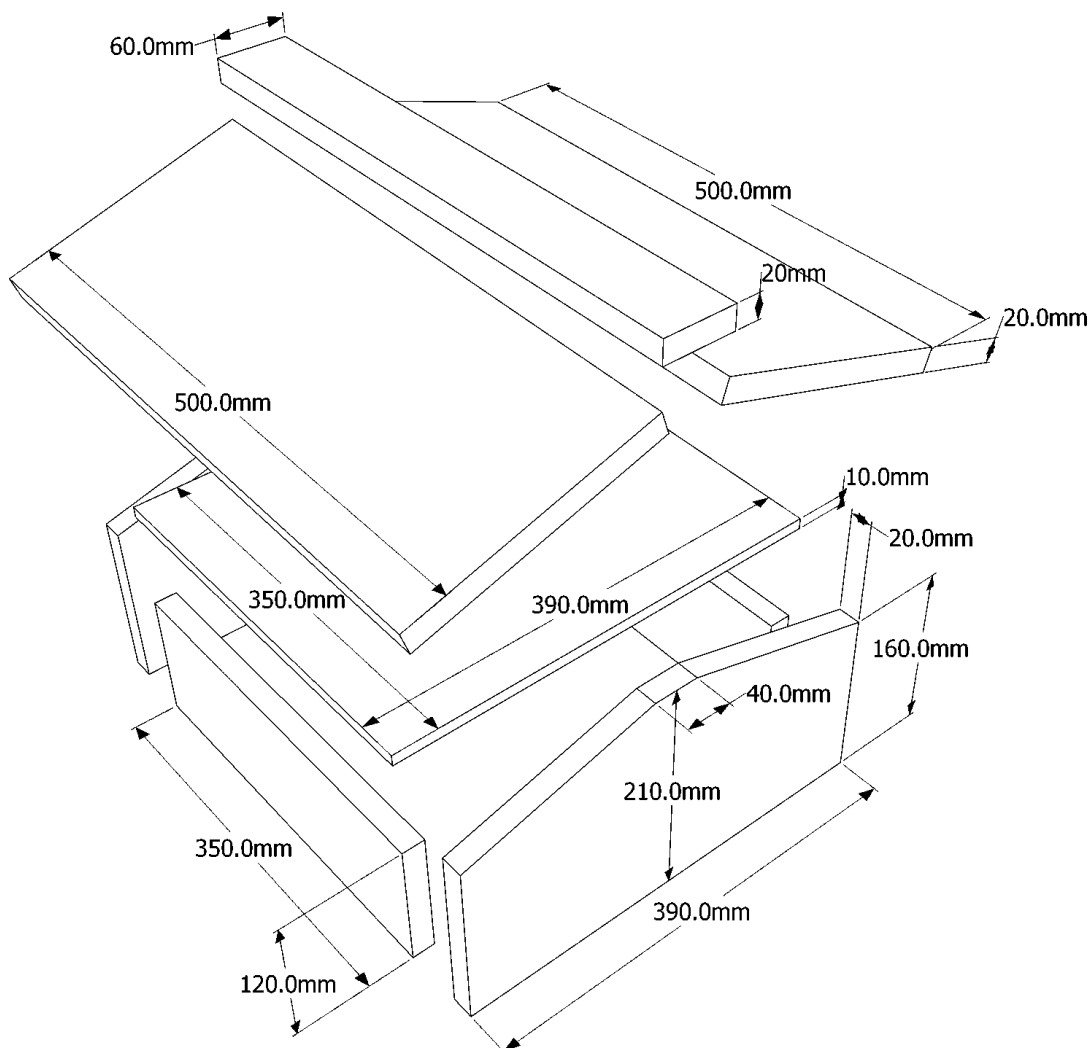


## The roof

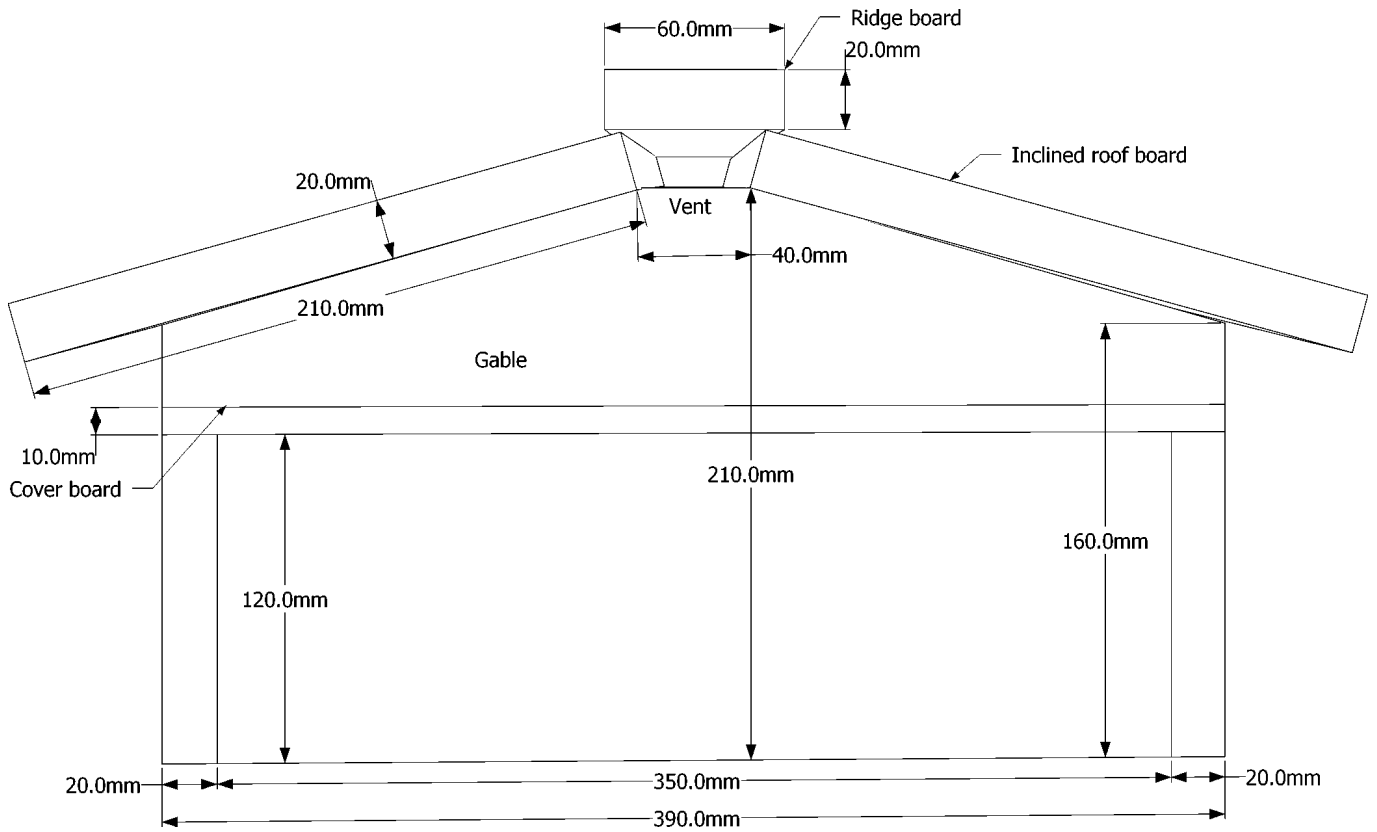
This is the more complicated of the two roof designs that Warré presents in *Beekeeping for All*. It has a ventilated cavity immediately under the upper surfaces of the roof. This is to dissipate solar heat. Inside is a cover board (or 'mouse board') which rests on the quilt. Thus there is no communication from the quilt to the ventilated roof cavity.



The example given here uses 20 mm wood for the outer structure. This is based on Warré's plans. Wood of 15 mm thickness would be perfectly adequate and make for a lighter roof. There is 10 mm play between the roof inner walls and the quilt outer walls to ease placement and removal of the roof.

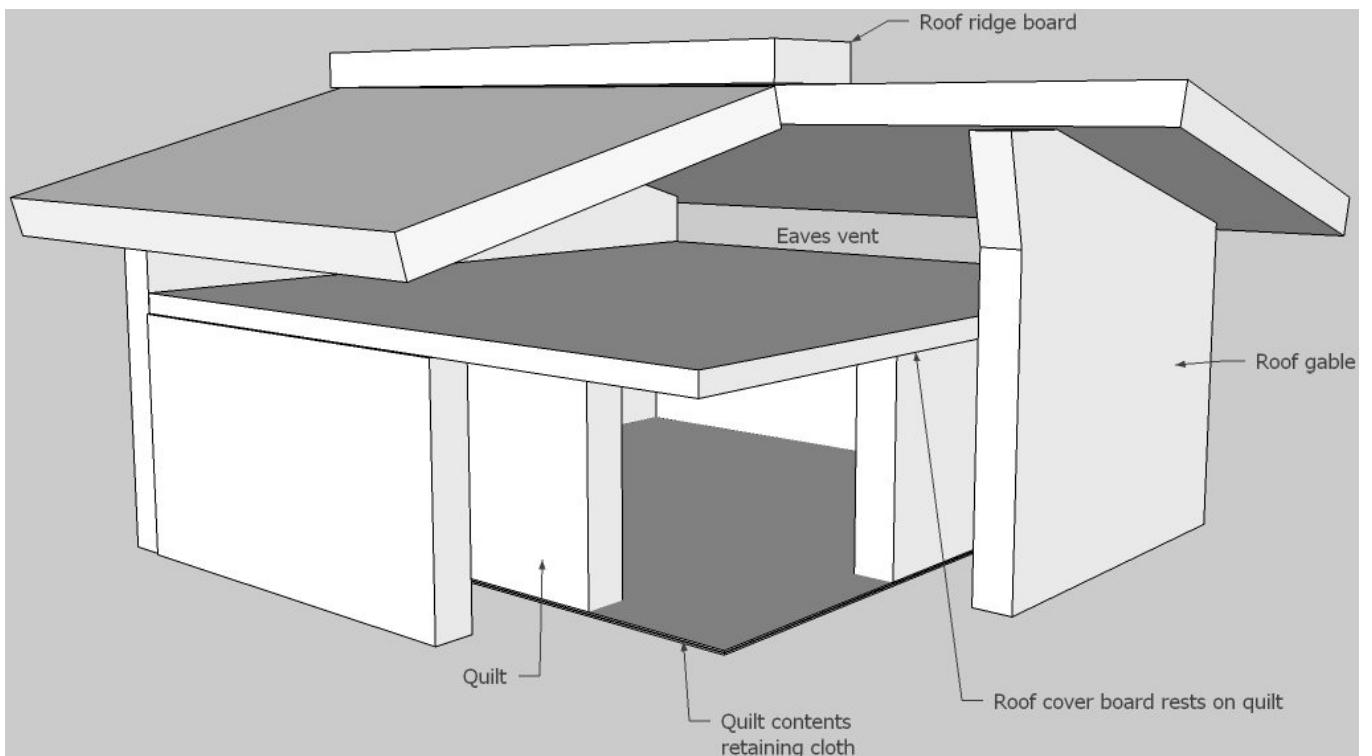


## Gable elevation of roof

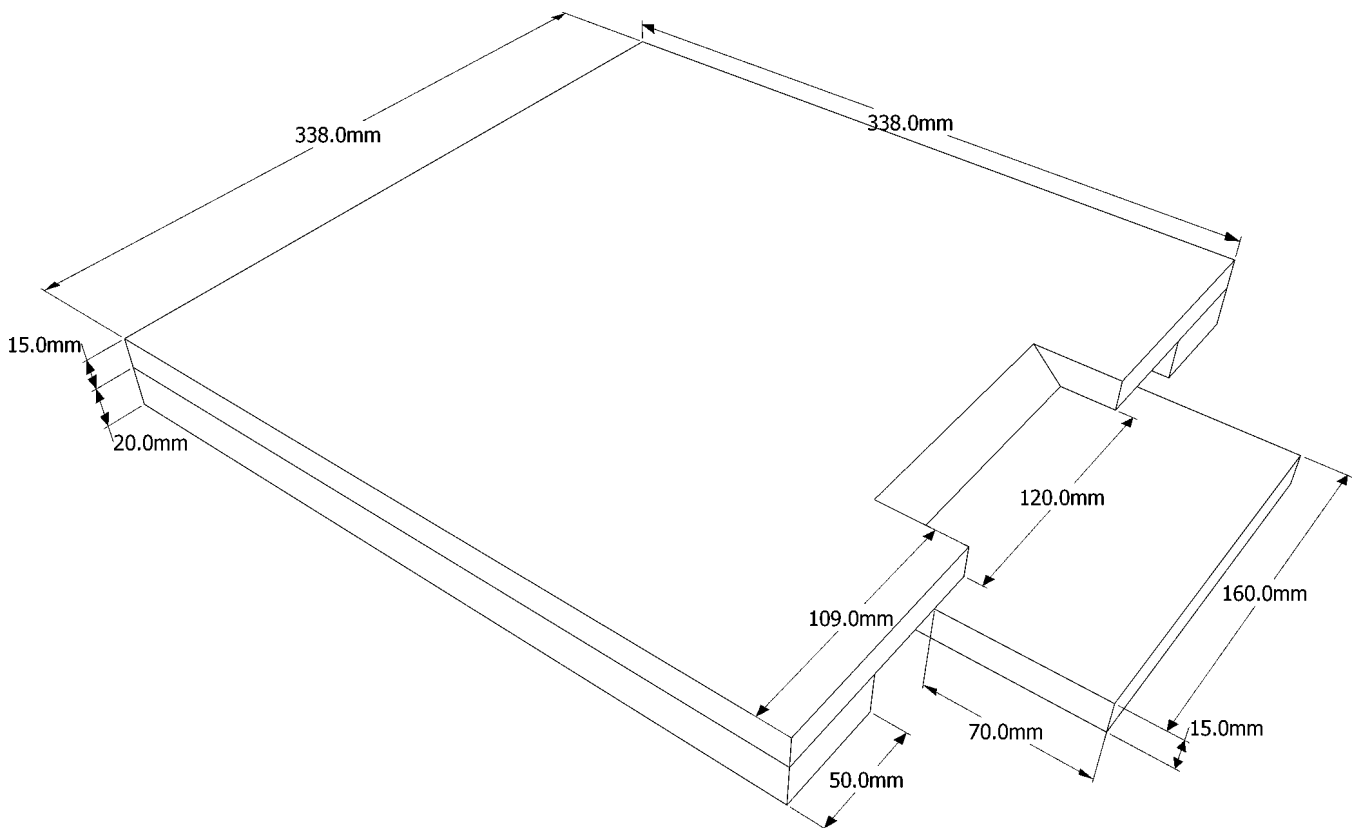


If thinner wood is used for the inclined boards, they may be nailed to the ridge board from their undersides by supporting the three pieces inverted with blocks suitably positioned to give approximately the correct angle. The unit of three boards is then nailed on to the gables.

The following drawing shows a cut-away view of the quilt in the roof. Note that the lower rim of the roof projects below the junction in which reside the top-bar cloth and the cloth fixed to the bottom of the quilt. This avoids wicking of moisture into that joint.



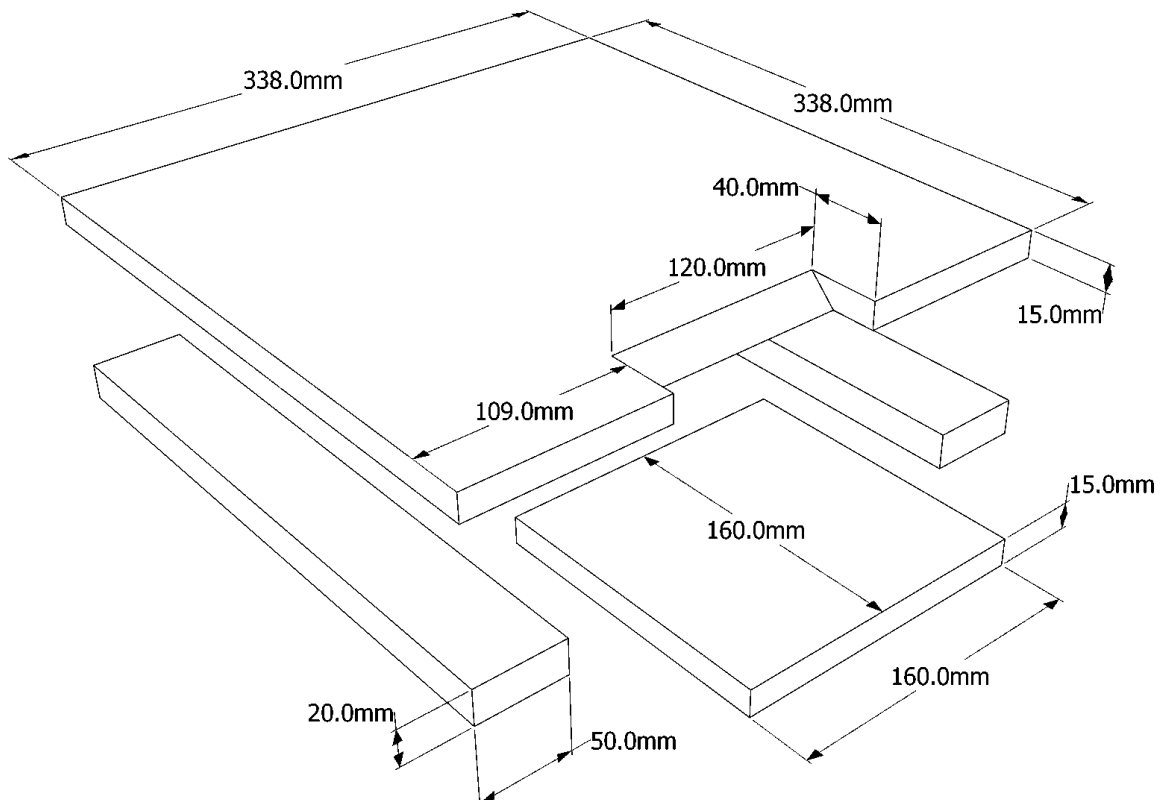
## The floor



Warré recommended 15-20 mm for the thickness of the floor. He gave no guidance on the thickness of the battens underneath it.

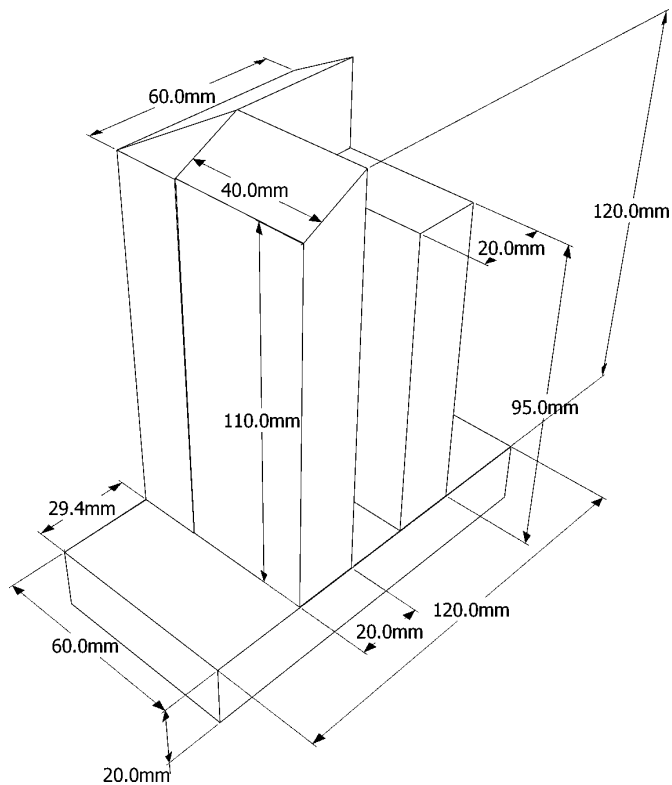
The notch in the floor serves as the entrance and is 40 mm deep for hive walls of 20 mm thickness. If required, the 160 mm wide alighting board can extend right to the back of the floor to give the latter added rigidity.

Note that the floor is 2 mm narrower in both horizontal directions compared with a box. Warré suggested allowing 1 mm all round to promote drainage of rainwater.





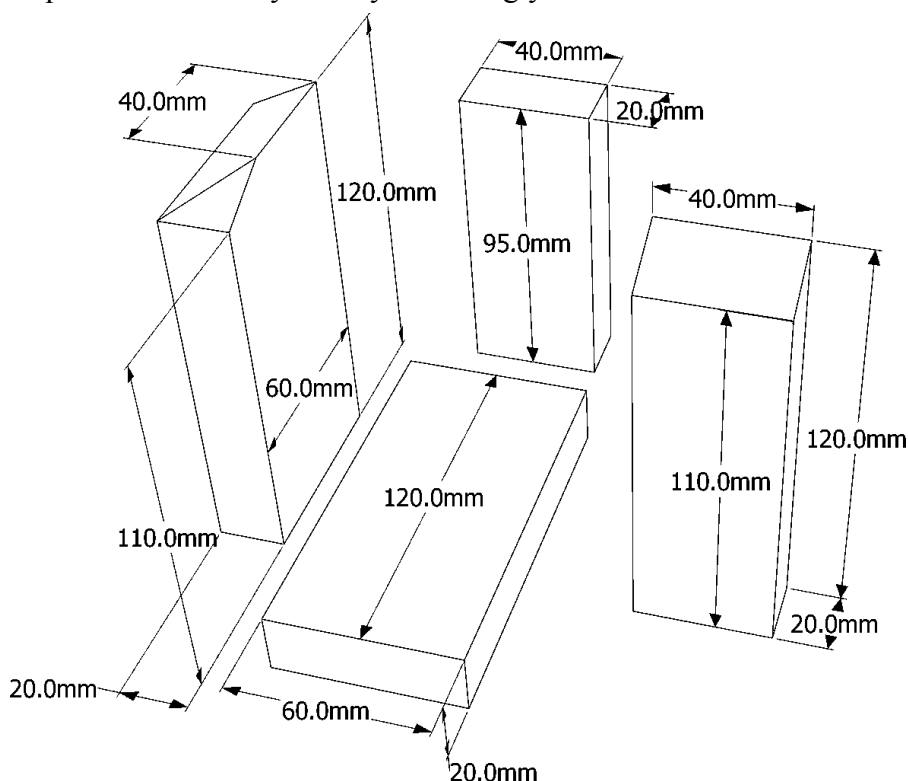
## The legs



The leg has a wide foot attached to prevent the hive from sinking into the ground and possibly toppling. Furthermore it gives a 20-30 mm projection outside the footprint of the floor, thus greatly increasing stability.

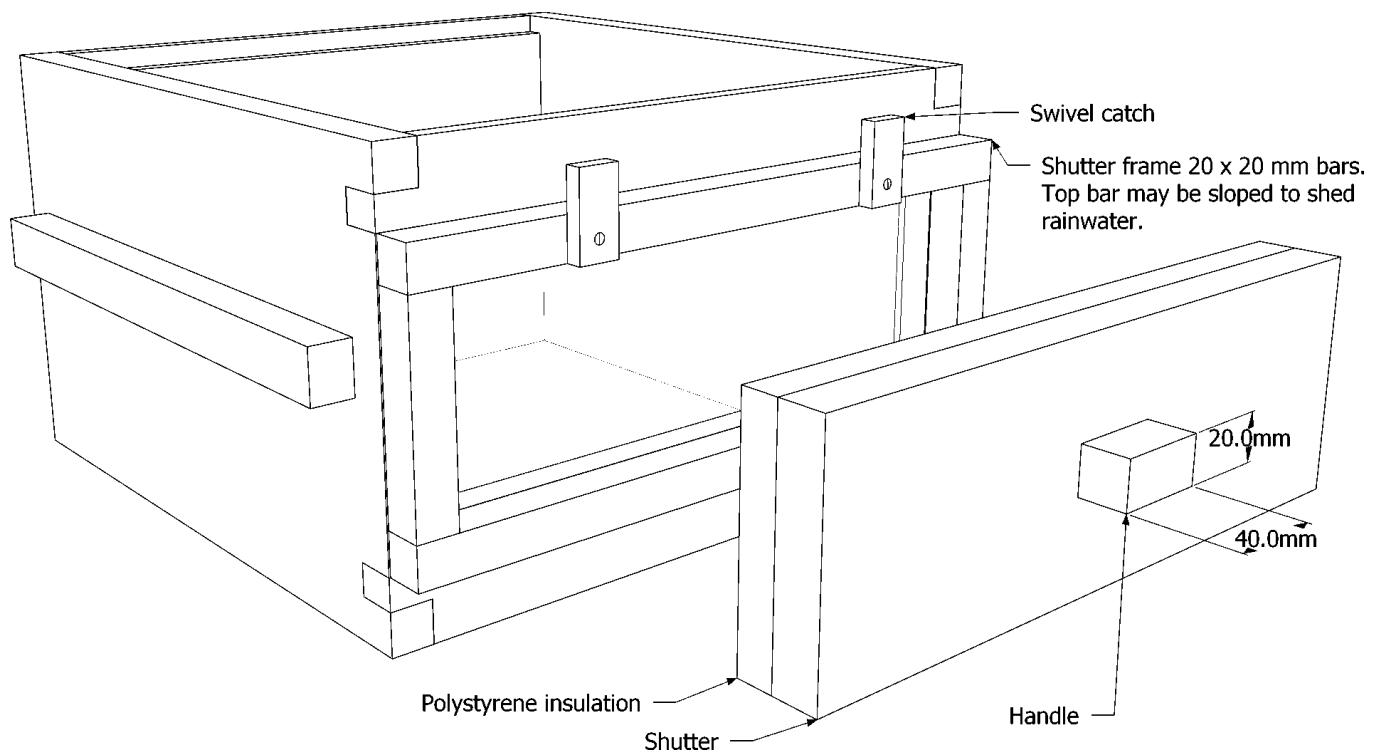
The leg places the hive entrance relatively close to the ground compared with beekeeping practice in general. However, Warré regarded a low entrance as important, as can be seen on pages 46-48.

In the above drawing, the right hand pillar of the leg has the underside of the floor resting on it. The angled left hand pillar is nailed from both sides to the side of the floor with a total of four nails. The difference in height of the right and left pillars is 25 mm which will work for the floor corner overall thickness of 35 mm shown above. If the floor corner is less than 25 mm thick, then the right pillar should be lengthened accordingly. The feet may be arranged in a pinwheel (Catherine-wheel) arrangement or constructed as two mirror symmetrical pairs and placed in mirror symmetry accordingly.



## Box with window

This is based on the design by Frères & Guillaume.<sup>3</sup>



This design places the insulation flush against the glass, the depth of the cavity exactly matching the depth of the shutter. To minimise jamming of the shutter in wet conditions, it may be made one or two millimetres smaller in each direction.

In this version, the window frame bars are jointed to the box walls with mortise and tenon joints. Alternatively, butt joints with three nails at each joint should give satisfactory service.

<sup>3</sup> Frères, J-M. & Guillaume, J-C (1997) *L'Apiculture Écologique de A à Z*. Guillaume J-C (ed. & publ.) Villelongue-Dels-Monts.

